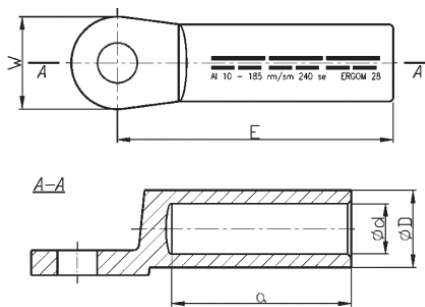


Al koncovky

KRA - oko odlievané

Materiál: Al
Povrchová úprava: nepocínované
Prevedenie: DIN 46329 (lisov. časť)
Norma: EN 61238-1



TYP	Prierez (mm ²)		Otvor pre skrutku	Rozmery (mm)					Počet lisov		Číslo hniezda	Balenie (ks)	Číslo produktu
	rm/sm	re/se		d	D	a	E	W	úžke	široké			
KRA 16/8	16	25	M8	5,4	12,0	30	50	25	4	2	12	10	4.0217700
KRA 16/10	16	25	M10	5,4	12,0	30	50	25	4	2	12	10	4.0217710
KRA 16/12	16	25	M12	5,4	12,0	30	50	25	4	2	12	10	4.0217715
KRA 25/8	25	35	M8	6,8	12,0	30	50	25	4	2	12	10	4.0217720
KRA 25/10	25	35	M10	6,8	12,0	30	50	25	4	2	12	10	4.0217730
KRA 25/12	25	35	M12	6,8	12,0	30	50	25	4	2	12	10	4.0217740
KRA 35/8	35	50	M8	8,0	14,0	42	62	25	5	3	14	10	4.0217750
KRA 35/10	35	50	M10	8,0	14,0	42	62	25	5	3	14	10	4.0217760
KRA 35/12	35	50	M12	8,0	14,0	42	62	25	5	3	14	10	4.0217770
KRA 50/8	50	70	M8	9,8	16,0	42	62	25	5	3	16	10	4.0217780
KRA 50/10	50	70	M10	9,8	16,0	42	62	25	5	3	16	10	4.0217790
KRA 50/12	50	70	M12	9,8	16,0	42	62	25	5	3	16	10	4.0217800
KRA 70/8	70	95	M8	11,2	18,5	52	72	25	6	3	18	10	4.0217810
KRA 70/10	70	95	M10	11,2	18,5	52	72	25	6	3	18	10	4.0217820
KRA 70/12	70	95	M12	11,2	18,5	52	72	25	6	3	18	10	4.0217830
KRA 70/16	70	95	M16	11,2	18,5	52	72	25	6	3	18	10	4.0217840
KRA 95/10	95	120	M10	13,2	22,0	56	75	25	6	3	22	10	4.0217850
KRA 95/12	95	120	M12	13,2	22,0	56	75	25	6	3	22	10	4.0217860
KRA 95/16	95	120	M16	13,2	22,0	56	75	25	6	3	22	10	4.0217870
KRA 120/10	120	150	M10	14,7	23,0	56	80	30	6	3	22	10	4.0217880
KRA 120/12	120	150	M12	14,7	23,0	56	80	30	6	3	22	10	4.0217890
KRA 120/16	120	150	M16	14,7	23,0	56	80	30	6	3	22	10	4.0217900
KRA 150/10	150	185	M10	16,3	25,0	60	90	30	6	3	25	10	4.0217910
KRA 150/12	150	185	M12	16,3	25,0	60	90	30	6	3	25	10	4.0217920
KRA 150/16	150	185	M16	16,3	25,0	60	90	30	6	3	25	10	4.0217930
KRA 150/20	150	185	M20	16,3	25,0	60	90	30	6	3	25	10	4.0217940
KRA 185/10	185	240	M10	18,3	28,5	60	91	30	6	3	28	10	4.0217950
KRA 185/12	185	240	M12	18,3	28,5	60	91	30	6	3	28	10	4.0217960
KRA 185/16	185	240	M16	18,3	28,5	60	91	30	6	3	28	10	4.0217970
KRA 185/20	185	240	M20	18,3	28,5	60	91	30	6	3	28	10	4.0217980
KRA 240/10	240	300	M10	21,0	32,0	70	103	38	8	3	32	10	4.0217990
KRA 240/12	240	300	M12	21,0	32,0	70	103	38	8	3	32	10	4.0218000
KRA 240/16	240	300	M16	21,0	32,0	70	103	38	8	3	32	10	4.0218010
KRA 240/20	240	300	M20	21,0	32,0	70	103	38	8	3	32	10	4.0218020
KRA 300/12	300	-	M12	23,3	34,0	70	103	38	8	3	34	10	4.0218030
KRA 300/16	300	-	M16	23,3	34,0	70	103	38	8	3	34	10	4.0218040
KRA 300/20	300	-	M20	23,3	34,0	70	103	38	8	3	34	10	4.0218050
KRA 400/16	400	-	M16	26,0	38,5	74	116	38	-	4	38	1	4.0218060
KRA 400/20	400	-	M20	26,0	38,5	74	116	38	-	4	38	1	4.0218070
KRA 500/16	500	-	M16	29,0	44,0	80	122	44	-	4	44	1	4.0218080
KRA 500/20	500	-	M20	29,0	44,0	80	122	44	-	4	44	1	4.0218090

Koncovky sú plnené kontaktnou vazelinou. Sektorové vodiče musia byť preformátované na kruhové.