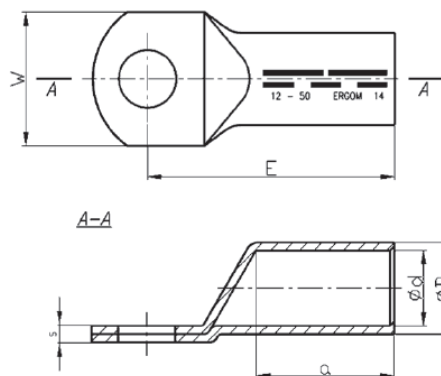


Cu KONCOVKY RÚRKOVÉ - DIN

KDR - oko rúrkové, DIN (10-240mm²)

Materiál: Cu
Povrchová úprava: pocínované
Prevedenie: DIN 46235
Norma: certifikát UL: E475284



Tovar
na objednávku

TYP	Prierez (mm ²)	Otvor pre skrutku	Rozmery (mm)						Počet lisov		Číslo hniezda	Balenie (ks)	Číslo produktu
			d	D	a	E	W	s	úzke	široké			
KDR 10/5	10	M5	4,5	6,0	12	27	9	1,5	1	-	6	1	4.0212820
KDR 10/6	10	M6	4,5	6,0	12	27	9	1,5	1	-	6	1	4.0212830
KDR 10/8	10	M8	4,5	6,0	12	27	13	1,0	1	-	6	1	4.0212835
KDR 16/6	16	M6	5,5	8,5	20	36	13	2,5	2	1	8	1	4.0212840
KDR 16/8	16	M8	5,5	8,5	20	36	13	2,5	2	1	8	1	4.0212850
KDR 16/10	16	M10	5,5	8,5	20	36	17	2,5	2	1	8	1	4.0212860
KDR 16/12	16	M12	5,5	8,5	20	38	19	2,0	2	1	8	1	4.0212870
KDR 25/6	25	M6	7,0	10,0	20	38	14	3,0	2	1	10	1	4.0212880
KDR 25/8	25	M8	7,0	10,0	20	38	16	3,0	2	1	10	1	4.0212890
KDR 25/10	25	M10	7,0	10,0	20	38	17	3,0	2	1	10	1	4.0212900
KDR 25/12	25	M12	7,0	10,0	20	38	19	3,0	2	1	10	1	4.0212910
KDR 25/16	25	M16	7,0	10,0	20	45	25	1,0	2	1	10	1	4.0212930
KDR 35/6	35	M6	8,2	12,5	20	42	17	4,0	2	1	12	1	4.0212940
KDR 35/8	35	M8	8,2	12,5	20	42	17	3,5	2	1	12	1	4.0212950
KDR 35/10	35	M10	8,2	12,5	20	42	19	3,5	2	1	12	1	4.0212960
KDR 35/12	35	M12	8,2	12,5	20	42	21	3,0	2	1	12	1	4.0212970
KDR 35/16	35	M16	8,2	12,5	20	45	28	2,5	2	1	12	1	4.0212990
KDR 50/8	50	M8	10,0	14,5	28	52	20	4,0	3	2	14	1	4.0213000
KDR 50/10	50	M10	10,0	14,5	28	52	22	4,0	3	2	14	1	4.0213010
KDR 50/12	50	M12	10,0	14,5	28	52	24	4,0	3	2	14	1	4.0213020
KDR 50/16	50	M16	10,0	14,5	28	52	28	4,0	3	2	14	1	4.0213040
KDR 70/8	70	M8	11,5	16,5	28	55	24	4,5	3	2	16	1	4.0213050
KDR 70/10	70	M10	11,5	16,5	28	55	24	4,5	3	2	16	1	4.0213060
KDR 70/12	70	M12	11,5	16,5	28	55	24	4,5	3	2	16	1	4.0213070
KDR 70/16	70	M16	11,5	16,5	28	55	30	4,0	3	2	16	1	4.0213090
KDR 70/20	70	M20	11,5	16,5	28	55	34	3,0	3	2	16	1	4.0213100
KDR 95/10	95	M10	13,5	19,0	35	65	28	5,0	4	2	18	1	4.0213110
KDR 95/12	95	M12	13,5	19,0	35	65	28	5,0	4	2	18	1	4.0213120
KDR 95/16	95	M16	13,5	19,0	35	65	32	5,0	4	2	18	1	4.0213140
KDR 95/20	95	M20	13,5	19,0	35	69	35	4,0	4	2	18	1	4.0213150
KDR 120/10	120	M10	15,5	21,0	35	70	32	5,0	4	2	20	1	4.0213160
KDR 120/12	120	M12	15,5	21,0	35	70	32	5,0	4	2	20	1	4.0213170
KDR 120/16	120	M16	15,5	21,0	35	70	32	5,0	4	2	20	1	4.0213190
KDR 120/20	120	M20	15,5	21,0	35	70	38	5,0	4	2	20	1	4.0213200
KDR 150/10	150	M10	17,0	23,5	40	78	34	6,0	4	2	22	1	4.0213210
KDR 150/12	150	M12	17,0	23,5	40	78	34	6,0	4	2	22	1	4.0213220
KDR 150/16	150	M16	17,0	23,5	40	78	34	6,0	4	2	22	1	4.0213240
KDR 150/20	150	M20	17,0	23,5	40	78	40	6,0	4	2	22	1	4.0213250
KDR 185/10	185	M10	19,0	25,5	42	82	37	6,0	5	2	25	1	4.0213260
KDR 185/12	185	M12	19,0	25,5	42	82	37	6,0	5	2	25	1	4.0213270
KDR 185/16	185	M16	19,0	25,5	42	82	37	6,0	5	2	25	1	4.0213290
KDR 185/20	185	M20	19,0	25,5	42	82	40	6,0	5	2	25	1	4.0213300
KDR 240/10	240	M10	21,5	29,0	42	92	42	6,5	-	2	28	1	4.0213305
KDR 240/12	240	M12	21,5	29,0	42	92	42	6,5	-	2	28	1	4.0213310
KDR 240/16	240	M16	21,5	29,0	42	92	42	6,5	-	2	28	1	4.0213330
KDR 240/20	240	M20	21,5	29,0	42	92	45	6,5	-	2	28	1	4.0213340

Sektorové vodiče musia byť preformátované na kruhové.