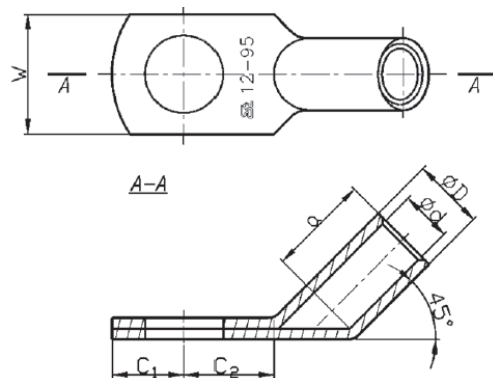


Cu KONCOVKY RÚRKOVÉ

K45R - oko rúrkové vyhnuté 90° (150-300mm²)

Materiál: Cu
Povrchová úprava: pocínované
Prevedenie: štandard
Norma: certifikát UL: E475284



Tovar
na objednávku

TYP	Prierez (mm ²)	Otvor pre skrutku	Rozmery (mm)						Počet lisov		Číslo hniezda	Balenie (ks)	Číslo produktu
			d	D	a	C ₁	C ₂	W	úzne	široké			
K45R 150/8	150	M8	16,5	21,0	30	12,0	16	31	2	1	20	10	4.0213930
K45R 150/10	150	M10	16,5	21,0	30	12,0	17	31	2	1	20	10	4.0213940
K45R 150/12	150	M12	16,5	21,0	30	12,0	18	31	2	1	20	10	4.0213950
K45R 150/16	150	M16	16,5	21,0	30	16,0	22	31	2	1	20	10	4.0213970
K45R 150/20	150	M20	16,5	21,0	30	23,0	24	36	2	1	20	10	4.0213980
K45R 185/10	185	M10	19,0	24,0	30	14,0	22	35	4	2	23	10	4.0213990
K45R 185/12	185	M12	19,0	24,0	30	14,0	22	35	4	2	23	10	4.0214000
K45R 185/16	185	M16	19,0	24,0	30	16,0	22	35	4	2	23	10	4.0214020
K45R 185/20	185	M20	19,0	24,0	30	20,0	24	38	4	2	23	10	4.0214030
K45R 240/10	240	M10	21,0	26,0	38	14,0	22	38	4	2	25	10	4.0214040
K45R 240/12	240	M12	21,0	26,0	38	14,0	22	38	4	2	25	10	4.0214050
K45R 240/16	240	M16	21,0	26,0	38	16,0	22	38	4	2	25	10	4.0214070
K45R 240/20	240	M20	21,0	26,0	38	20,0	24	38	4	2	25	10	4.0214080
K45R 300/12	300	M12	24,0	30,0	45	15,0	24	43	-	2	28	10	4.0214100
K45R 300/16	300	M16	24,0	30,0	45	16,0	24	43	-	2	28	10	4.0214120
K45R 300/20	300	M20	24,0	30,0	45	20,0	24	43	-	2	28	10	4.0214130

Sektorové vodiče musia byť preformátované na kruhové.