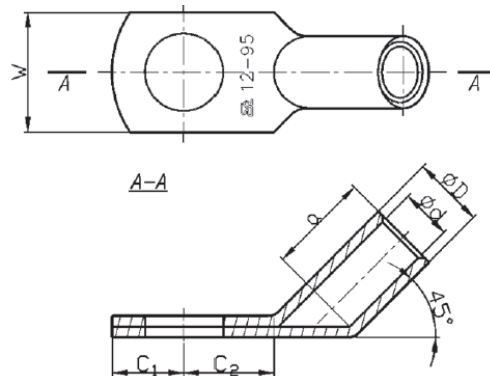


Cu KONCOVKY RÚRKOVÉ

K45R - oko rúrkové vyhnuté 90° (6-120mm²)

Materiál: Cu
 Povrchová úprava: pocínované
 Prevedenie: štandard
 Norma: certifikát UL: E475284



Tovar
na objednávku

TYP	Prierez (mm ²)	Otvor pre skrutku	Rozmery (mm)						Počet lisov		Číslo hniezda	Balenie (ks)	Číslo produktu
			d	D	a	C ₁	C ₂	W	úzke	široké			
K45R 10/5	10	M5	4,5	7,0	10	7,0	10	12	1	1	7	10	4.0213450
K45R 10/6	10	M6	4,5	7,0	10	7,5	10	12	1	1	7	10	4.0213460
K45R 10/8	10	M8	4,5	7,0	10	9,0	13	15	1	1	7	10	4.0213470
K45R 10/10	10	M10	4,5	7,0	10	11,0	15	17	1	1	7	10	4.0213480
K45R 10/12	10	M12	4,5	7,0	10	12,0	15	19	1	1	7	10	4.0213490
K45R 16/5	16	M5	5,5	8,5	13	7,0	10	12	2	1	8	10	4.0213500
K45R 16/6	16	M6	5,5	8,5	13	7,5	10	12	2	1	8	10	4.0213510
K45R 16/8	16	M8	5,5	8,5	13	9,0	13	15	2	1	8	10	4.0213520
K45R 16/10	16	M10	5,5	8,5	13	11,0	15	17	2	1	8	10	4.0213530
K45R 16/12	16	M12	5,5	8,5	13	12,0	15	19	2	1	8	10	4.0213540
K45R 25/5	25	M5	7,0	10,0	15	7,0	10	14	2	1	10	10	4.0213550
K45R 25/6	25	M6	7,0	10,0	15	7,5	10	14	2	1	10	10	4.0213560
K45R 25/8	25	M8	7,0	10,0	15	9,0	13	16	2	1	10	10	4.0213570
K45R 25/10	25	M10	7,0	10,0	15	11,0	15	18	2	1	10	10	4.0213580
K45R 25/12	25	M12	7,0	10,0	15	12,0	15	19	2	1	10	10	4.0213590
K45R 35/6	35	M6	8,5	12,0	17	7,5	10	18	2	1	12	10	4.0213610
K45R 35/8	35	M8	8,5	12,0	17	9,0	13	18	2	1	12	10	4.0213620
K45R 35/10	35	M10	8,5	12,0	17	11,0	15	18	2	1	12	10	4.0213630
K45R 35/12	35	M12	8,5	12,0	17	12,0	15	20	2	1	12	10	4.0213640
K45R 35/16	35	M16	8,5	12,0	17	16,0	18	26	2	1	12	10	4.0213660
K45R 50/6	50	M6	10,0	14,0	19	7,5	10	20	2	1	14	10	4.0213670
K45R 50/8	50	M8	10,0	14,0	19	9,0	13	20	2	1	14	10	4.0213680
K45R 50/10	50	M10	10,0	14,0	19	11,0	15	20	2	1	14	10	4.0213690
K45R 50/12	50	M12	10,0	14,0	19	12,0	15	23	2	1	14	10	4.0213700
K45R 50/16	50	M16	10,0	14,0	19	16,0	18	28	2	1	14	10	4.0213720
K45R 50/20	50	M20	10,0	14,0	19	20,0	22	30	2	1	14	10	4.0213730
K45R 70/6	70	M6	12,0	16,5	21	7,5	10	23	2	1	16	10	4.0213740
K45R 70/8	70	M8	12,0	16,5	21	9,0	13	23	2	1	16	10	4.0213750
K45R 70/10	70	M10	12,0	16,5	21	11,0	15	23	2	1	16	10	4.0213760
K45R 70/12	70	M12	12,0	16,5	21	12,0	15	23	2	1	16	10	4.0213770
K45R 70/16	70	M16	12,0	16,5	21	16,0	18	28	2	1	16	10	4.0213790
K45R 70/20	70	M20	12,0	16,5	21	20,0	22	30	2	1	16	10	4.0213800
K45R 95/8	95	M8	13,5	18,0	24	12,0	14	26	2	1	17	10	4.0213810
K45R 95/10	95	M10	13,5	18,0	24	12,0	17	26	2	1	17	10	4.0213820
K45R 95/12	95	M12	13,5	18,0	24	12,0	18	26	2	1	17	10	4.0213830
K45R 95/16	95	M16	13,5	18,0	24	16,0	22	29	2	1	17	10	4.0213850
K45R 95/20	95	M20	13,5	18,0	24	20,0	24	35	2	1	17	10	4.0213860
K45R 120/8	120	M8	15,0	19,5	26	12,0	16	28	2	1	19	10	4.0213870
K45R 120/10	120	M10	15,0	19,5	26	12,0	17	29	2	1	19	10	4.0213880
K45R 120/12	120	M12	15,0	19,5	26	12,0	18	29	2	1	19	10	4.0213890
K45R 120/16	120	M16	15,0	19,5	26	16,0	22	29	2	1	19	10	4.0213910
K45R 120/20	120	M20	15,0	19,5	26	20,0	24	35	2	1	19	10	4.0213920

Sektorové vodiče musia byť preformátované na kruhové.