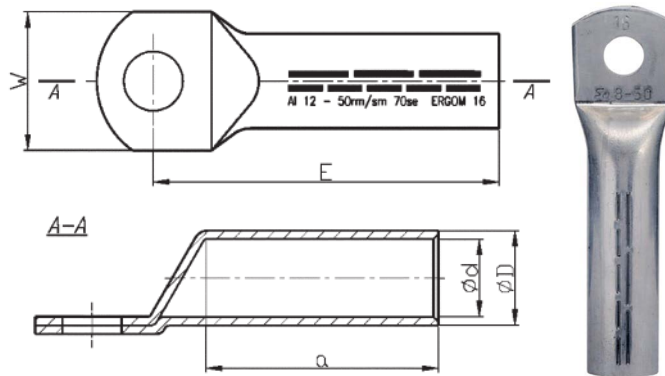


Al koncovky rúrkové

KDA - oko rúrkové

Materiál: Al
Povrchová úprava: nepocínované
Prevedenie: DIN 46329 (lisov. časť)
Norma: EN 61238-1



TYP	Prierez (mm ²)		Otvor pre skrutku	Rozmery (mm)					Počet lisov		Číslo hniezda	Balenie (ks)	Číslo produktu
	rm/sm	re/se		d	D	a	E	W	úžke	široké			
KDA 16/6	16	25	M6	5,6	12,0	30	50	18	4	2	12	1	4.0218395
KDA 16/8	16	25	M8	5,6	12,0	30	50	18	4	2	12	1	4.0218400
KDA 16/10	16	25	M10	5,6	12,0	30	53	18	4	2	12	1	4.0218410
KDA 25/6	25	35	M6	6,8	12,0	30	57	19	4	2	12	1	4.0218415
KDA 25/8	25	35	M8	6,8	12,0	30	57	19	4	2	12	1	4.0218420
KDA 25/10	25	35	M10	6,8	12,0	30	60	19	4	2	12	1	4.0218430
KDA 25/12	25	35	M12	6,8	12,0	30	60	23	4	2	12	1	4.0218440
KDA 35/6	35	50	M6	8,0	14,0	42	68	22	5	3	14	1	4.0218445
KDA 35/8	35	50	M8	8,0	14,0	42	68	22	5	3	14	1	4.0218450
KDA 35/10	35	50	M10	8,0	14,0	42	68	24	5	3	14	1	4.0218460
KDA 35/12	35	50	M12	8,0	14,0	42	68	24	5	3	14	1	4.0218470
KDA 50/8	50	70	M8	9,8	16,0	42	69	23	5	3	16	1	4.0218480
KDA 50/10	50	70	M10	9,8	16,0	42	72	23	5	3	16	1	4.0218490
KDA 50/12	50	70	M12	9,8	16,0	42	72	23	5	3	16	1	4.0218500
KDA 70/8	70	95	M8	11,2	18,5	52	79	28	6	3	18	1	4.0218505
KDA 70/10	70	95	M10	11,2	18,5	52	82	28	6	3	18	1	4.0218510
KDA 70/12	70	95	M12	11,2	18,5	52	82	28	6	3	18	1	4.0218520
KDA 70/16	70	95	M16	11,2	18,5	52	85	28	6	3	18	1	4.0218530
KDA 95/10	95	120	M10	13,2	22,0	56	90	34	6	3	22	1	4.0218540
KDA 95/12	95	120	M12	13,2	22,0	56	90	34	6	3	22	1	4.0218550
KDA 95/16	95	120	M16	13,2	22,0	56	93	34	6	3	22	1	4.0218560
KDA 120/10	120	150	M10	14,7	23,0	56	91	33	6	3	22	1	4.0218565
KDA 120/12	120	150	M12	14,7	23,0	56	91	33	6	3	22	1	4.0218570
KDA 120/16	120	150	M16	14,7	23,0	56	94	33	6	3	22	1	4.0218580
KDA 150/10	150	185	M10	16,3	25,0	60	99	37	6	3	25	1	4.0218585
KDA 150/12	150	185	M12	16,3	25,0	60	99	37	6	3	25	1	4.0218590
KDA 150/16	150	185	M16	16,3	25,0	60	102	37	6	3	25	1	4.0218600
KDA 150/20	150	185	M20	16,3	25,0	60	107	41	6	3	25	1	4.0218610
KDA 185/12	185	240	M12	18,3	28,5	60	99	41	6	3	28	1	4.0218620
KDA 185/16	185	240	M16	18,3	28,5	60	102	41	6	3	28	1	4.0218630
KDA 185/20	185	240	M20	18,3	28,5	60	107	43	6	3	28	1	4.0218640
KDA 240/12	240	300	M12	21,0	32,0	70	111	45	8	3	32	1	4.0218650
KDA 240/16	240	300	M16	21,0	32,0	70	114	47	8	3	32	1	4.0218660
KDA 240/20	240	300	M20	21,0	32,0	70	119	47	8	3	32	1	4.0218670
KDA 300/12	300	-	M12	23,3	34,0	70	117	50	8	3	34	1	4.0218675
KDA 300/16	300	-	M16	23,3	34,0	70	120	50	8	3	34	1	4.0218680
KDA 300/20	300	-	M20	23,3	34,0	70	125	50	8	3	34	1	4.0218690
KDA 400/16	400	-	M16	26,0	38,5	100	165	60	-	4	38	1	4.0218700
KDA 400/20	400	-	M20	26,0	38,5	100	165	60	-	4	38	1	4.0218710
KDA 500/16	500	-	M16	29,0	44,0	120	185	63	-	4	44	1	4.0218720
KDA 500/20	500	-	M20	29,0	44,0	120	185	63	-	4	44	1	4.0218730

Koncovky sú plnené kontaktnou vazelinou. Sektorové vodiče musia byť preformátované na kruhové.