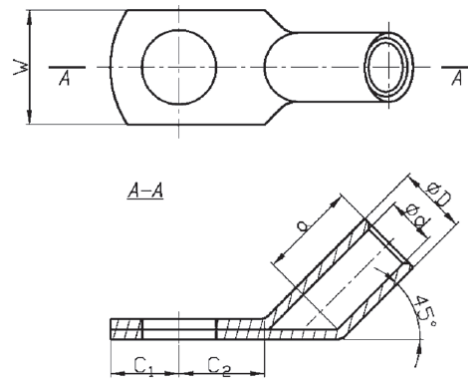


Cu KONCOVKY RÚRKOVÉ - DIN

K45D - oko rúrkové, DIN, vyhnuté 45°

Materiál: Cu
 Povrchová úprava: pocínované
 Prevedenie: DIN 46235 (lisov. časť)



Tovar
na objednávku

TYP	Prierez (mm ²)	Otvor pre skrutku	Rozmery (mm)						Počet lisov		Číslo hniezda	Balenie (ks)	Číslo produktu
			d	D	a	C ₁	C ₂	W	úzke	široké			
K45D 10/5	10	M5	4,5	6,0	10	7,0	10	9	1	1	6	10	4.0213452
K45D 10/6	10	M6	4,5	6,0	10	7,5	10	9	1	1	6	10	4.0213462
K45D 10/8	10	M8	4,5	6,0	10	9,0	13	12	1	1	6	10	4.0213472
K45D 16/6	16	M6	5,5	8,5	20	7,5	10	13	2	1	8	10	4.0213512
K45D 16/8	16	M8	5,5	8,5	20	9,0	13	13	2	1	8	10	4.0213522
K45D 16/10	16	M10	5,5	8,5	20	11,0	15	17	2	1	8	10	4.0213532
K45D 16/12	16	M12	5,5	8,5	20	12,0	15	18	2	1	8	10	4.0213542
K45D 25/6	25	M6	7,0	10,0	20	7,5	10	14	2	1	10	10	4.0213562
K45D 25/8	25	M8	7,0	10,0	20	9,0	13	16	2	1	10	10	4.0213572
K45D 25/10	25	M10	7,0	10,0	20	11,0	15	17	2	1	10	10	4.0213582
K45D 25/12	25	M12	7,0	10,0	20	12,0	15	19	2	1	10	10	4.0213592
K45D 35/8	35	M8	8,2	12,5	20	9,0	13	17	2	1	12	10	4.0213622
K45D 35/10	35	M10	8,2	12,5	20	11,0	15	19	2	1	12	10	4.0213632
K45D 35/12	35	M12	8,2	12,5	20	12,0	15	21	2	1	12	10	4.0213642
K45D 50/8	50	M8	10,0	14,5	28	9,0	13	20	3	2	14	10	4.0213682
K45D 50/10	50	M10	10,0	14,5	28	11,0	15	22	3	2	14	10	4.0213692
K45D 50/12	50	M12	10,0	14,5	28	12,0	15	24	3	2	14	10	4.0213702
K45D 50/16	50	M16	10,0	14,5	28	16,0	18	28	3	2	14	10	4.0213722
K45D 70/8	70	M8	11,5	16,5	28	9,0	13	24	3	2	16	10	4.0213752
K45D 70/10	70	M10	11,5	16,5	28	11,0	15	24	3	2	16	10	4.0213762
K45D 70/12	70	M12	11,5	16,5	28	12,0	15	24	3	2	16	10	4.0213772
K45D 70/16	70	M16	11,5	16,5	28	16,0	18	30	3	2	16	10	4.0213792
K45D 95/10	95	M10	13,5	19,0	35	12,0	17	28	4	2	18	10	4.0213822
K45D 95/12	95	M12	13,5	19,0	35	12,0	18	28	4	2	18	10	4.0213832
K45D 95/16	95	M16	13,5	19,0	35	16,0	22	32	4	2	18	10	4.0213852
K45D 120/10	120	M10	15,5	21,0	35	12,0	17	32	4	2	20	10	4.0213882
K45D 120/12	120	M12	15,5	21,0	35	12,0	18	32	4	2	20	10	4.0213892
K45D 120/16	120	M16	15,5	21,0	35	16,0	22	32	4	2	20	10	4.0213912
K45D 120/20	120	M20	15,5	21,0	35	20,0	24	38	4	2	20	10	4.0213922
K45D 150/10	150	M10	17,0	23,5	35	10,0	17	34	4	2	22	10	4.0213942
K45D 150/12	150	M12	17,0	23,5	35	12,0	18	34	4	2	22	10	4.0213952
K45D 150/16	150	M16	17,0	23,5	35	16,0	22	34	4	2	22	10	4.0213972
K45D 150/20	150	M20	17,0	23,5	35	20,0	24	38	4	2	22	10	4.0213982
K45D 185/10	185	M10	19,0	25,5	40	14,0	22	37	5	2	25	10	4.0213992
K45D 185/12	185	M12	19,0	25,5	40	14,0	22	37	5	2	25	10	4.0214002
K45D 185/16	185	M16	19,0	25,5	40	16,0	22	37	5	2	25	10	4.0214022
K45D 185/20	185	M20	19,0	25,5	40	20,0	24	40	5	2	25	10	4.0214032
K45D 240/12	240	M12	21,5	29,0	40	14,0	22	42	-	2	28	10	4.0214052
K45D 240/16	240	M16	21,5	29,0	40	16,0	22	42	-	2	28	10	4.0214072
K45D 240/20	240	M20	21,5	29,0	40	20,0	24	45	-	2	28	10	4.0214082

Sektorové vodiče musia byť preformátované na kruhové.